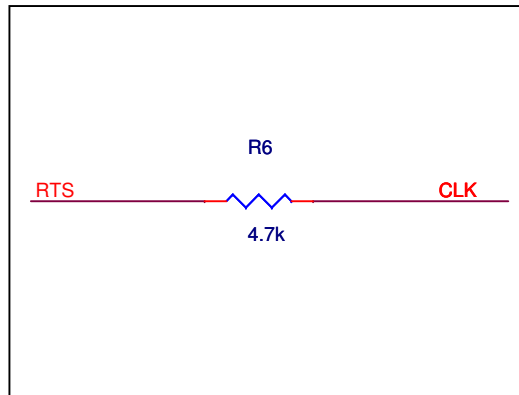
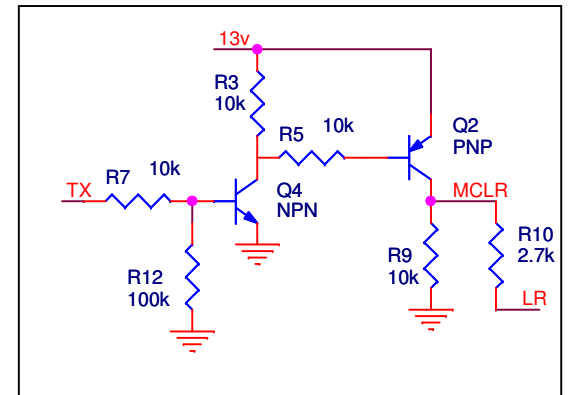


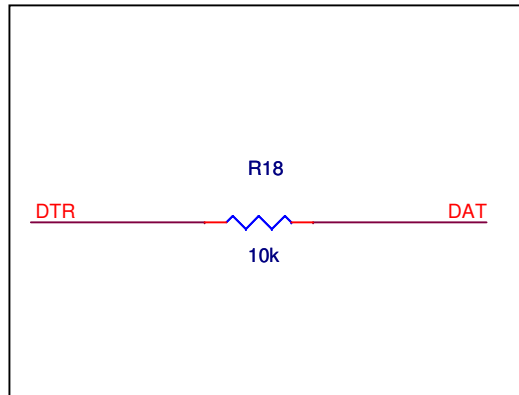
Clock Subcircuit



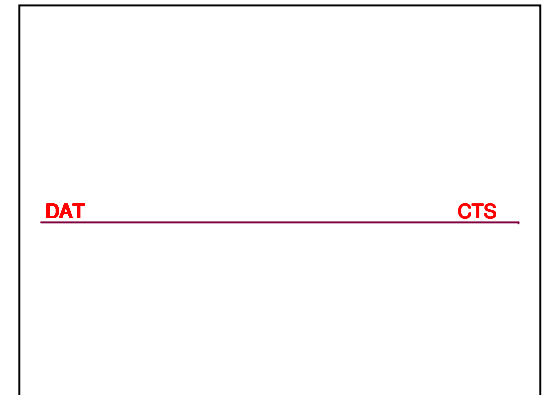
VPP Subcircuit



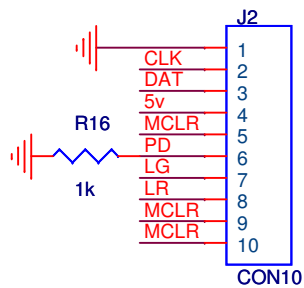
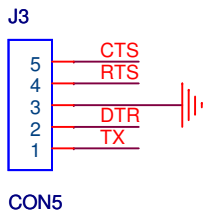
Data Subcircuit



Return Subcircuit



Connect all unused cables to ground



ICSP



Title		
Gabotronics - PIC Progammer		
Size	Document Number	Rev
A	<Doc>	2.0
Date:	Thursday, January 06, 2005	Sheet 1 of 1